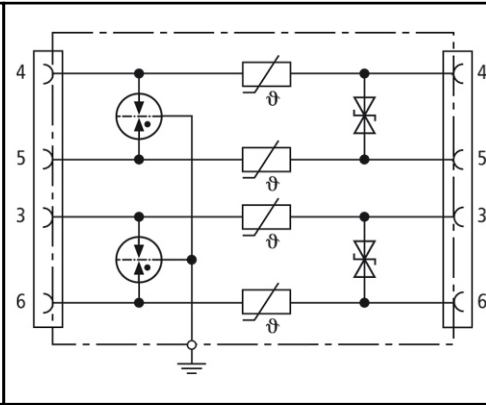


Dimension drawing NET PRO TC



PTC thermistors decouple the protection stages and thus provide additional protection against "power crossings" for terminal equipment.



Patch panel or retrofit version

Integrated protection against power crossing

For installation in conformity with the lightning protection zones concept at the boundaries from  $0_b - 2$  and higher

Protection board with 8 unshielded ports for protecting telecommunications systems with analogue or system transmission technology from overvoltage and a.c. interference. To be mounted into EG NET PRO 19" as retrofit or patch panel version (LSA).

| NET PRO TC 2  |               |
|---|---------------|
| SPD class   | TYPE 2 P2     |
| Nominal voltage $[U_{NI}]$  | 130 V         |
| Max. continuous operating d.c. voltage $[U_{cl}]$                 | 170 V         |
| Max. continuous operating a.c. voltage $[U_{cl}]$                 | 120 V         |
| Nominal current $[I_{L1}]$  | 150 mA        |
| C2 Nominal discharge current (8/20 $\mu$ s) per port $[I_{n1}]$   | 10 kA         |
| C2 Nominal discharge current (8/20 $\mu$ s) per line $[I_{n1}]$   | 2.5 kA        |
| Voltage protection level line-line for $I_n$ C2 $[U_{pl}]$        | $\leq 250$ V  |
| Voltage protection level line-PG for $I_n$ C2 $[U_{pl}]$          | $\leq 600$ V  |
| Voltage protection level line-line at 1 kV/ $\mu$ s C3 $[U_{pl}]$ | $\leq 230$ V  |
| Voltage protection level line-PG at 1 kV/ $\mu$ s C3 $[U_{pl}]$   | $\leq 600$ V  |
| Series impedance per line   | 10 ohms       |
| Cut-off frequency line-line $[f_{cl}]$                            | 10 MHz        |
| Capacitance line-line $[C]$                                       | $\leq 300$ pF |
| Capacitance line-PG $[C]$   | $\leq 15$ pF  |
| Operating temperature range                                       | -40°C...+80°C |
| Degree of protection  | IP 00         |
| For installation into   | enclosure     |
| Connection input/output   | RJ45 / RJ45   |
| Pinning   | 4/5, 3/6      |
| Earthing via  | enclosure     |
| Dimensions W x L  | 135 x 77 mm   |
| Test standards  | IEC 61643-21  |
| Approvals, Certifications   | GOST          |
| <b>Ordering information</b>                                       |               |
| Type  | NET PRO TC 2  |
| Part No.  | 929 071       |
| Packing unit  | 1 pc          |

We reserve the right to modify design, technology, dimensions, weights and materials according to technical progress. Illustrations are non-binding. Pictures may differ from the modules described.