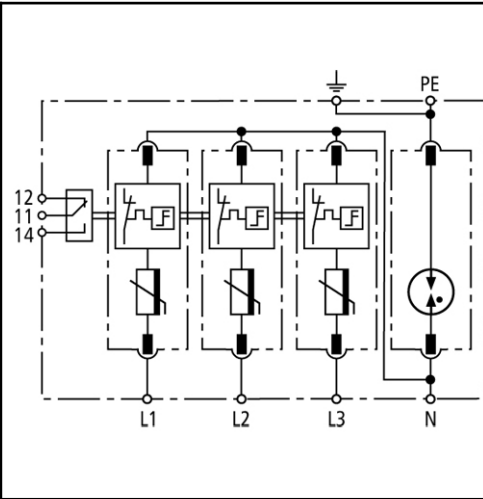


Dimension drawing DG TT H230 400 LI



Basic circuit diagram DG TT H230 400 LI



Complete prewired unit for all common system configurations consisting of a base part and plug-in protection modules

Clear operating state indication by three-way service life indicator with linked remote signalling device

"Pro-Active Thermo Control" SPD monitoring device

Request the user in due time to replace the protection module in case of imminent overload

Max. discharge capacity 65 kA (8/20 μs) due to heavy-duty zinc oxide varistor

Can be energy coordinated with upstream lightning current

arresters, e.g. DEHNbloc Maxi

DG TT H LI: Multipole surge arrester with "Pro-Active Thermo Control" SPD monitoring device with three-way visual indicator for use in TT and TN-S systems ("3+1" circuit)

DG TT H230 400 LI385	
SPD according to EN 61643-11	Type 2
SPD according to IEC 61643-1	Class II
Nominal a.c. voltage	230/400 V
Max. continuous operating a.c. voltage [L-N]	385 V
Max. continuous operating a.c. voltage [N-PE]	255 V
Max. discharge current (8/20 μs) [L-N] I_{max}	65 kA
Max. discharge current (8/20 μs) [N-PE]	65 kA
Lightning impulse current (10/350 μs) [N-PE]	12 kA
Voltage protection level [L-N]	≤ 1.75 kV
Voltage protection level [L-N] at 5 kA	≤ 1.35 kV
Voltage protection level [N-PE]	≤ 1.5 kV
Follow current extinguishing capability [N-PE]	100 A _{rms}
Response time [L-N]	≤ 25 ns
Response time [N-PE]	≤ 100 ns
Max. mains-side overcurrent protection	160 A gL/gG
Short-circuit withstand capability for max. mains-side overcurrent protection	20 kA _{rms}
TOV characteristics	withstand
Temporary overvoltage (TOV) [L-N]	385 V / 5 sec.
Temporary overvoltage (TOV) [N-PE]	1200 V / 200 ms
Operating temperature range	-40°C...+55°C
Indication of disconnect	green-yellow-red
Number of ports	1
Cross-sectional area (min.)	1.5 mm ² solid/flexible
Cross-sectional area (max.)	35 mm ² stranded/25 mm ² flexible
For mounting on	35 mm DIN rail acc. to EN 60715

Enclosure material	thermoplastic, red, UL 94 V-0
Location category	indoor
Degree of protection	IP 20
Capacity	4 mods., DIN 43880
Approvals, Certifications	KEMA
Type of remote signalling contact	changeover contact
Switching capacity a.c.	250 V/0.5 A
Switching capacity d.c.	250 V/0.1 A; 125 V/0.2 A; 75 V/0.5 A
Cross-sectional area for remote signalling terminals	max. 1.5 mm ² solid/flexible
Ordering information	
Type	DG TT H230 400 LI385
Part No.	950 151
Packing unit	1 pc

We reserve the right to modify design, technology, dimensions, weights and materials according to technical progress. Illustrations are non-binding. Pictures may differ from the modules described.