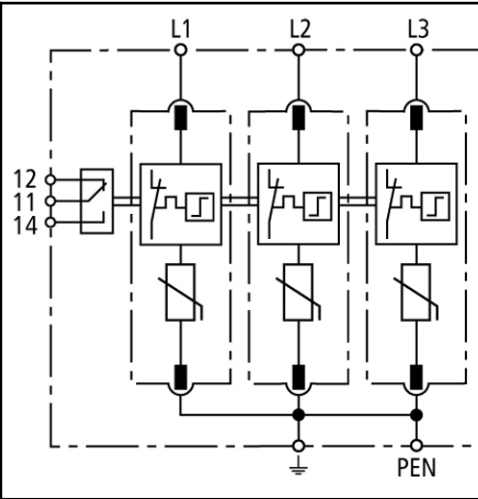


Dimension drawing DG M WE ... FM



Basic circuit diagram DG M WE ... FM



DG M WE ... (FM): 3-pole modular surge arrester for use in wind turbines

- Complete prewired unit for use in wind turbines
- Allows for temporary voltage fluctuations due to increased rated varistor voltage  $U_{\text{mov}}$
- High discharge capacity due to powerful zinc oxide varistors
- High reliability due to "Thermo Dynamic Control" SPD monitoring device
- Operating state/fault indication of every protective circuit
- Multifunctional terminals for connecting conductors and busbars
- Allows for easy replacing of protection modules without tools due to module locking system with releasing button
- Tested for vibration- and shock-proofness acc. to EN 60068-2

**DG M WE 600 FM**

Type of SPD according to EN 61643-11	Type 2
SPD according to IEC 61643-1	Class II
Nominal a.c. voltage [U <sub>SN</sub> ]	600 V
Max. continuous operating a.c. voltage [U <sub>SC</sub> ]	600 V
Rated voltage of varistor [U <sub>mov</sub> ]	750 V
Nominal discharge current (8/20 μs) [I <sub>sn</sub> ]	15 kA
Max. discharge current (8/20 μs) [I <sub>smax</sub> ]	25 kA
Voltage protection level [U <sub>SP</sub> ]	≤ 3 kV
Voltage protection level for 5 kA [U <sub>5P</sub> ]	≤ 2.5 kV
Response time [t <sub>SA</sub> ]	≤ 25 ns
Max. mains-side overcurrent protection	100 A gL/gG
Short circuit withstand capability for max. mains-side overcurrent protection	25 kA <sub>rms</sub>
Temporary overvoltage (TOV) [U <sub>ST</sub> ]	900 V / 5 sec.
Operating temperature range [T <sub>SU</sub> ]	-40°C...+80°C
Operating state/fault indication	green / red
Cross-sectional area (min.)	1.5 mm <sup>2</sup> solid/flexible
Cross-sectional area (max.)	35 mm <sup>2</sup> stranded/25 mm <sup>2</sup> flexible
For mounting on	35 mm DIN rail acc. to EN 60715
Enclosure material	red thermoplastic, UL 94 V-0
Degree of protection	IP 20
Dimension	3 mods., DIN 4
Approvals, Certifications	KEMA, UL, VdS
Type of remote signalling contact	changeover contact
Switching capacity a.c.	250 V/0.5 A

<b>Switching capacity d.c.</b>	250 V/0.1 A; 125 V/0.2 A; 75 V/0.5 A
<b>Cross-sectional area for remote signalling terminals</b>	max. 1.5 mm <sup>2</sup> solid/flexible
<b>Ordering information</b>	
<b>Type</b>	DG M WE 600 FM
<b>Part No.</b>	<b>952 307</b>
<b>Packing unit</b>	1 pcs.

We reserve the right to modify design, technology, dimensions, weights and materials according to technical progress. Illustrations are non-binding. Pictures may differ from the modules described.