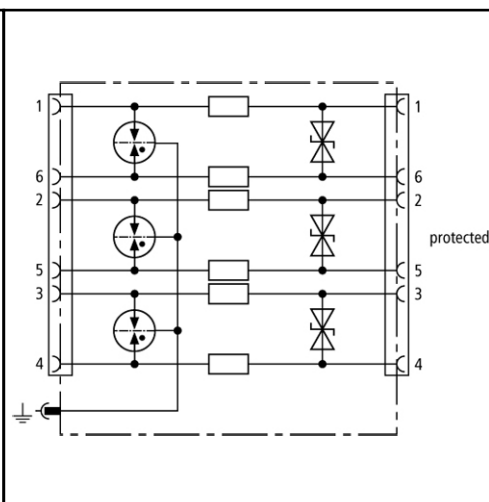


Dimension drawing DLI TC BT



Energy-coordinated protective circuit for all pairs, free of leakage currents to earth.



In compliance with British Telecom requirements

Protection of all lines

For installation in conformity with the lightning protection zones concept at the boundaries from 0_b - 2 and higher

Protective device for analogue or system telephones in accordance with British Telecom requirements. Plug-in connectors allow easy installation.

DLI TC BT	
SPD class	TYPE 2/P2
Nominal voltage [U _N]	130 V
Max. continuous operating d.c. voltage [U _C]	145 V
Nominal current [I _N]	125 mA
C2 Total nominal discharge current (8/20 μs) [I _n]	10 kA
C2 Nominal discharge current (8/20 μs) per line [I _n]	5 kA
Voltage protection level line-line for I _n C2 [U _p]	≤ 210 V
Voltage protection line-PG for I _n C2 [U _p]	≤ 550 V
Voltage protection level line-line at 1 kV/μs C3 [U _p]	≤ 185 V
Voltage protection level line-PG at 1 kV/μs C3 [U _p]	≤ 450 V
Series impedance per line	4.7 ohms
Cut-off frequency [f _{cl}]	13 MHz
Capacitance line-line [C]	≤ 400 pF
Capacitance line-PG [C]	≤ 10 pF
Operating temperature range	-40°C...+80°C
Degree of protection	IP 20
Connection input/output	BT jack / BT jack
Pinning	1/6, 2/5, 3/4
Earthing via	flat connector 6.3 mm
Enclosure	thermoplastic
Colour	black
Test standards	IEC 61643-21
Accessories	connecting cable, mounting material
Ordering information	
Type	DLI TC BT
Part No.	929 026
Packing unit	1 pc

We reserve the right to modify design, technology, dimensions, weights and materials according to technical progress. Illustrations are non-binding. Pictures may differ from the modules described.