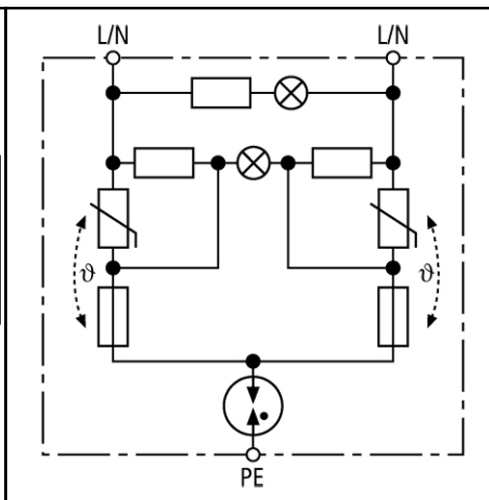


Dimension drawing NSM PRO ...



Basic circuit diagram NSM PRO ...



Surge protection with monitoring device and disconnecter

Maximum safety due to distinctive Y protection circuit

Visual operating state (green) and fault indication (red)

With retaining ring (diameter of 60 mm) for installation into switchboxes with a diameter of 60 mm and a depth of 40 mm

NSM PRO EW	
SPD according to EN 61643-11	Type 3
SPD according to IEC 61643-1	Class III
Nominal a.c. voltage [U _N]	230 V
Max. continuous operating a.c. voltage [U _{Cl}]	255 V
Nominal discharge current (8/20 μs) [I _n]	3 kA
Total discharge current (8/20 μs) [L+N-PE] [I _{total}]	5 kA
Combined impulse [U _{OC}]	6 kV
Combined impulse [L+N-PE] [U _{OC total}]	10 kV
Voltage protection level [L-N] [U _{p1}]	≤ 1.25 kV
Voltage protection level [L/N-PE] [U _{p1}]	≤ 1.5 kV
Response time [L-N] [t _{A1}]	≤ 25 ns
Response time [L/N-PE] [t _{A1}]	≤ 100 ns
Max. mains-side overcurrent protection	16 A gL/gG or B 16 A
Short-circuit withstand capability for mains-side overcurrent protection with 16 A gL/gG	6 kA _{rms}
Temporary overvoltage (TOV) [L-N] [U _{T1}]	335 V / 5 sec.
Temporary overvoltage (TOV) [L/N-PE] [U _{T1}]	400 V / 5 sec.
Temporary overvoltage (TOV) [L+N-PE] [U _{T1}]	1200 V + U _{CS} / 200 ms
TOV characteristics [L-N]	withstand
TOV characteristics [L/N-PE]	withstand
TOV characteristics [L+N-PE]	failure
Fault indication	red light
Operating state indication	green light
Number of Ports	1
Operating temperature range [T _U]	-25°C...+40°C
Cross-sectional area	screwless double terminals up to 2.5 mm ² each, also suitable for series connection
For mounting on	retaining ring (Ø60 mm) for installation into switch boxes, depth of 32 mm
Enclosure material	thermoplastic, UL 94 V-2
Location category	indoor
Degree of protection	IP 20

DELTA type

plus, studio white

Ordering information

Type NSM PRO EW

Part No. **924 342**

Packing unit 1 pc

We reserve the right to modify design, technology, dimensions, weights and materials according to technical progress. Illustrations are non-binding. Pictures may differ from the modules described.