

DM AF FL30X3.5 D120MM TPE (478 599)

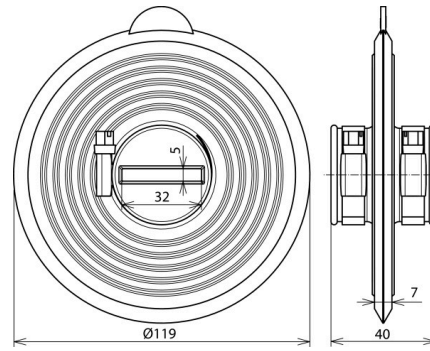


Figure without obligation

Pressurised water test up to 1 bar represents an installation depth of 10 m in stagnant water, additionally tested with 5 bar compressed air according to DIN EN 62561-5.

Type	DM AF FL30X3.5 D120MM TPE
Part No.	478 599
Material	thermoplast elastomer
Diameter Ø	119 mm
Material of tensioning straps	StSt
Bushing Fl	30 x 3.5 mm
Standard	EN 62561-5
Pressure-water test	1 bar
Weight	170 g
Customs tariff number (Comb. Nomenclature EU)	40169300
GTIN	4013364158023
PU	10 pc(s)

We reserve the right to introduce changes in performance, configuration and technology, dimensions, weights and materials in the course of technical progress. The figures are shown without obligation.